



A++

Blaupunkt  
5CK230FF0  
built-in Refrigerator

Predecessor:

Successor:

EAN code:  
4251003105254

sales programme:

**built-in fridge, 102.5 x 56 cm**  
**5CK230FF0**

#### Performance and consumption

- Energy Efficiency Class: A++ at a range of energy efficiency classes from A+++ to D
- Energy consumption: 99 kWh/yr
- Net fridge capacity total: 181 l
- Noise level: 37 dB(A) re 1 pW

#### Design and Styling

- fully integrated
- Flat hinge
- Easy clean interior

#### Convenience & Safety

- Electromechanical temperature control
- 1 compressor/1 cold circuit
- Automatic defrost in fridge section

#### Fridge Compartment

- 5 safety glass shelves, of which 4 are height adjustable
- 4 door bins
- LED interior light

#### Freshness System Freshness System

- Vegetable container

#### Technical Information

- Door right hinged, reversible
- Connected load: 90 W
- Nominal voltage: 220 - 240 V
- Climate Class: SN-ST

#### Dimensions

- Niche Dimension (H x W x D): 102.5 cm x 56.0 cm x 55.0 cm
- Appliance Dimensions ( H x W x D): 102.1 cm x 54.1 cm x 54.2 cm

#### Accessories

- egg tray

#### Country Specific Options

- Gross capacity 185 l
- Gross capacity cooling 185 l
- Based on the results of the standard 24-hour test. Actual consumption depends on usage/position of the appliance.

#### Included accessories

#### Optional accessories

#### Alternative colors available

#### Technical Data

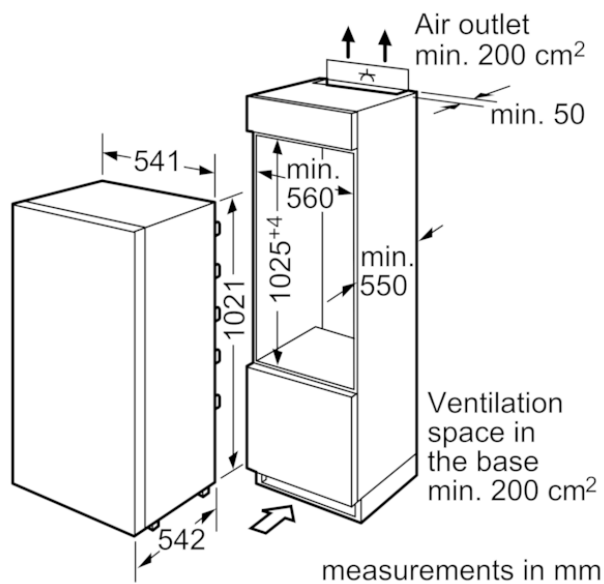
##### Characteristics

Built-in / Free-standing : Built-in  
 Number of compressors : 1  
 Number of independent cooling systems : 1  
 Width of the appliance : 541  
 Height (mm) : 1021  
 Depth of the product : 542  
 Net weight (kg) : 33.740  
 Required niche size for installation (HxWxD) : 1025.0 x 560 x 550  
 Door panel options : Not possible  
 Door hinge : Right reversible  
 Number of Adjustable Shelves in fridge compartment : 4  
 Shelves for Bottles : No  
 Frost free system : No  
 Interior ventilator : No  
 Reversible Door Hinge : Yes  
 Length electrical supply cord (cm) : 230  
 Noise level (dB) : 37  
 Multi-Flow Air Tower : No  
 Economy setting : No  
 Cold technology : 1 compressor/1 cold circuit  
 Fast cooling switch : No  
 Temperature Controlled Drawer : No  
 Humidity Control Drawer : No  
 Number of Door Bins - Refrigerator : 4  
 Door bin adjustability - Refrigerator : No  
 Tilt-out door bins in fridge : No  
 Gallon Storage : Yes  
 Number of Gallon storage : 1  
 No. of shelves in fridge : 5  
 Motorized Shelf : No  
 Material of the shelves : Glas, plastic, support grid, wood  
 Door opened indicator freezer : No

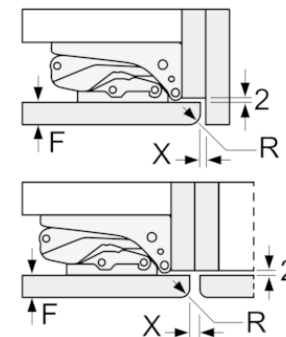
##### Consumption and connection features

Connection Rating (W) : 90  
 Current (A) : 10  
 Voltage (V) : 220-240  
 Frequency (Hz) : 50  
 Approval certificates : CE, VDE  
 Main colour of product : White  
 Door panel options : Not possible  
 Installation typology : Full-integrated  
 Noise level (dB) : 37  
 Energy Star Qualified : No  
 Dimensions of the packed product (in) : 43.30 x 24.40 x 25.19  
 Net weight (lbs) : 74.000  
 Gross weight (lbs) : 81.000

built-in fridge, 102.5 x 56 cm  
5CK230FF0



measurements in mm  
Recommended gap dimensions for flat hinges



F	R	X
16-19	0-3	2.5
20	0-1	3
	2-3	2.5
21	0-1	3
	2-3	2.5
22	0	4
	1	3.5
	2-3	3

The gap dimensions recommended in the table must be adhered to in order to ensure that appliance doors do not collide with anything when they are opened, and to avoid causing damage to kitchen units.